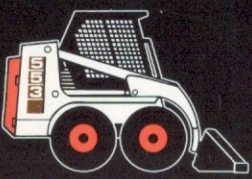




bobcat



bobcat
553

C-SERIES
SKID-STEER
LOADER



MELROE
INGERSOLL-RAND

SPECIFICATIONS

Capacity

Rated Operating Capacity¹
Tipping Load
Hydraulic Pump Capacity

553

850 lbs. (386 Kg.)
1700 lbs. (771 kg)
8 GPM (30,3 L/min.)

Dimensions

Length (with bucket)
Width (with bucket)
Height
Height to Bucket Pin

106.6 in. (2708 mm)
49.5 in. (1257 mm)
72.8 in. (1849 mm)
102.5 in. (2604 mm)

Engine

Make/Model
Fuel/Cooling
Cylinders
HP/Displacement
Fuel Tank Capacity

Kubota/D950-B
Diesel/Liquid
3
21.5/56.6 cu.-in. (0,93L)
10 gal. (38 Liter)

Machine Weight

Operating Weight

3,622 lbs. (1643 kg)

Operation

Steering and Drive
Hydraulics
Transmission

Forward, Reverse, Travel Speed and Steering Controlled By Two Hand Levers.
Two Foot Pedals Raise/Lower Lift Arms and Dump/Rollback Bucket.
Hydrostatic, Four-Wheel Drive.

Standard Features

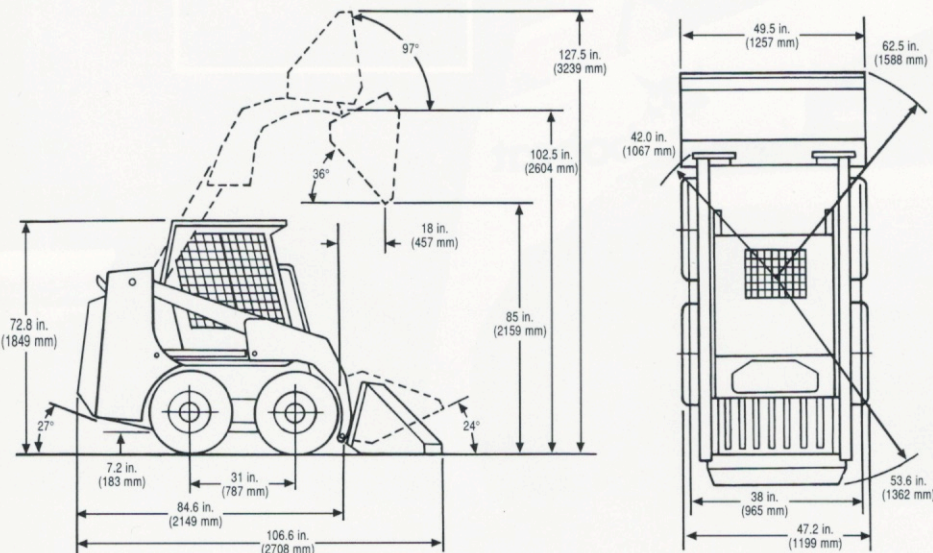
Adjustable Cushion Seat	Lift Arm Support	Seat Bar (available for all Bobcat skid-steer loaders)
Bobcat Interlock Control System (BICS™)	Meters/Gauges/Warning Lights	Seat Belt
Bob-Tach	Operator Cab	Spark Arrestor Muffler
Flotation Tires	Parking Brake	

Options/Accessories

Backup Alarm	Front Auxiliary Hydraulics	Sound Cab (Reduces noise at operator's ear to 85 dBA per ISO 6394)
Bobcat Heavy Duty Tires	Horn	Special Applications Kit ²
Cab Enclosure w/Heater	Hydraulic Bucket Positioning ³	Suspension Seat
Deluxe Cab	Skid-Steer Loader Operator Training Kit	Top & Rear Windows
Flasher Lights		
Front & Rear Lights		

Attachments Available

Angle Blade	Buckets (3 different styles)	Pallet Forks
Angle Broom	Econo Grader	Sweeper
Auger	Front Scarifier	Three Point Hitch
Backhoe	Grapples and Forks	York Rake
Box Scraper	Hydraulic Breaker ⁴	



LOTS OF SKID-STEER MUSCLE IN A SMALLER PACKAGE!

Got to get the work done, but don't have much space to maneuver? Give the Bobcat® 553 Skid-Steer Loader a try!

The 553 offers 850 lbs. of lift capacity yet easily fits through narrow openings. It weighs only 3,622 lbs. for easy trailering.

The 553 offers a faster travel speed—up to 6 mph—getting your longer run jobs done faster. You'll also notice this Bobcat C-Series loader is better balanced for improved work efficiency.

It features, the latest in safety technology—the Bobcat Interlock Control System (BICS™). It requires that the operator be seated in the loader with the Seat Bar down in place and the engine running before the hydraulic lift and tilt functions and the traction drive system can be operated.

And you get more than just a skid-steer loader. You get the support of a worldwide network of Bobcat dealers. They offer industry-leading attachments, accessories and parts availability. Their factory-trained service technicians are equipped to handle your entire loader's hydrostatic/hydraulic components. There's also an excellent warranty program. Ask your Bobcat dealer for full details.

Add it all up, and you've got a reliable loader that can improve your tight fit job efficiency.

850 LBS.

Rated Operating Capacity

102.5 IN.

Lift Height

21.5 HP

Liquid-Cooled Diesel Engine

NOTE - Where applicable, dimensions are in accordance with Society of Automotive Engineers (SAE) standards. • Specifications and design are subject to change without notice. • Pictures of Bobcat skid-steer loaders may show other than standard equipment. • All dimensions are shown in inches. Respective metric dimensions are enclosed by parentheses.

¹Operating capacity rated with standard digging bucket according to SAE standard J818 - OPERATING CAPACITY TO EQUAL NO MORE THAN ONE HALF THE TIPPING LOAD.

²Bucket positioning helps operator keep the same tilt of the load during lifting.

³Includes lexan front door, top and rear windows.

⁴Special application kit (see #3) must be used.

